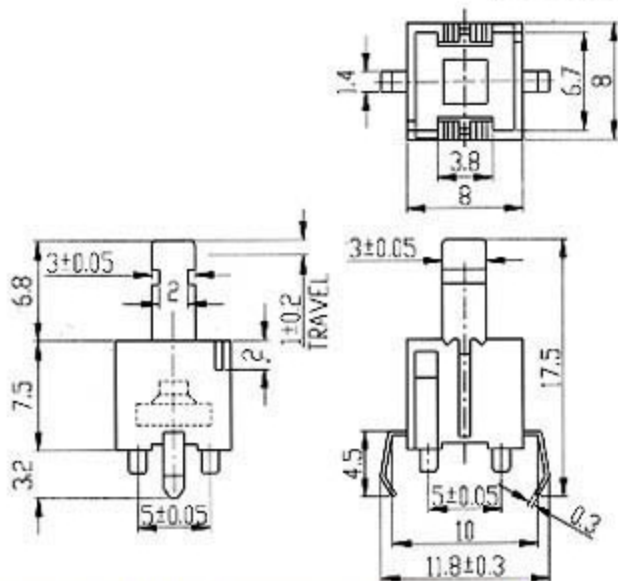


TC-0020



CIRCUIT DIAGRAM



SPECIFICATIONS

1. RATING : DC 12V 5mA
2. TRAVEL : 1.0 ± 0.2 mm
3. CONTACT RESISTANCE 100 Ω MAX
4. OPERATING FORE: 130 ± 30 gf