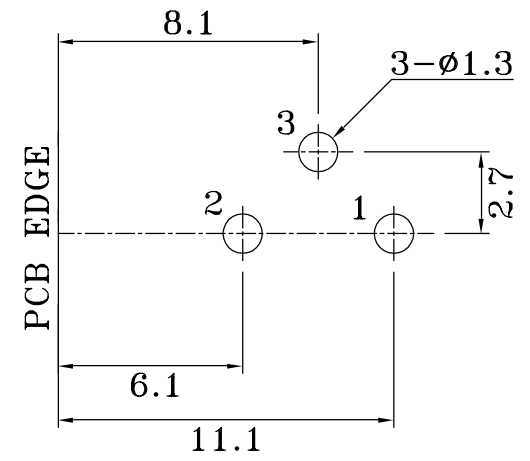
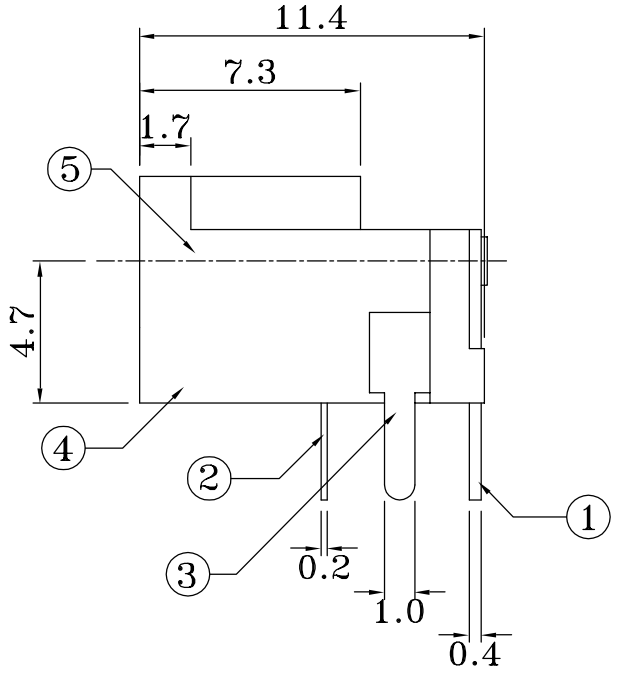
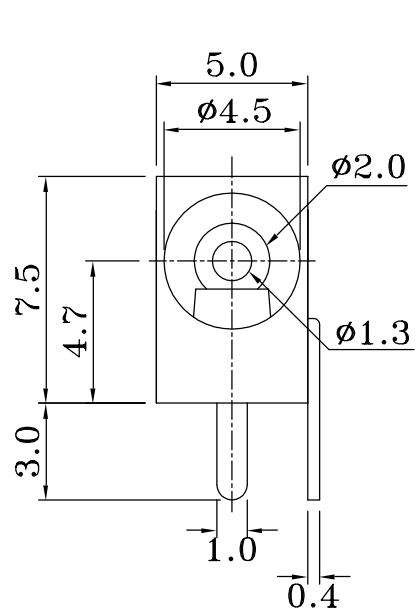
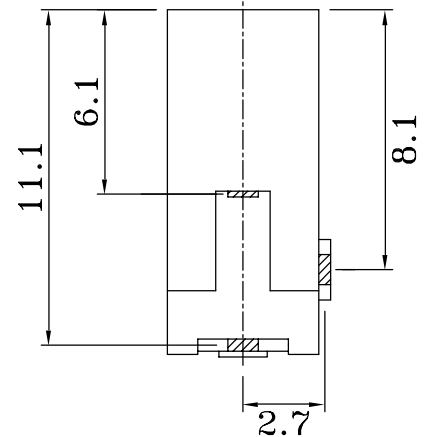


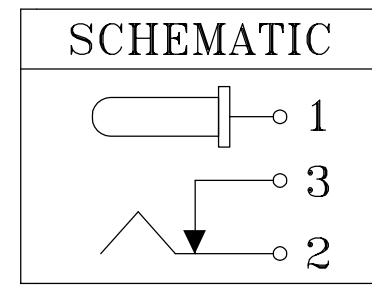
REV	ZONE	REVISION	DATE



PCB LAYOUT
(BOTTIM VIEW)



NO.	NAME	MATERIAL	FINISH	Q'TY
1	PIN TERM.	BRASS	TIN PLATED	1
2	SLEEVE TREM.	P.B.S.	TIN PLATED	1
3	BREAK TERM.	BRASS	TIN PLATED	1
4	HOUSING	P.B.T.	BLACK	1
5	CENTER PIN	BRASS	NICKEL PLATED	1



E-YUNG
E-YUNG ENTERPRISE CO., LTD.

COMPUTER NO.			UNIT	SCALE	PART NAME	
D:\DWG\KD-011A			mm	4:1	DC POWER JACK	
APPD.	CKD.	DWG.	DATE	TOLERANCE	PART NO.	REV.
		TINA	4-10-00	±0.3		A

MODEL KD-011A PAGE 1 OF 1