

## Part-number Description >>

LAS1 — ★ — □ ■ / ◇ / ◆● / △ / ▲							
Code of series	Code name	Contact structure:	Operation mode:	Lamp type	◆ Operation position of selector and key-lock type: 2 Two position 3 Three position ● Operation type of selector and key-lock switch: 1 Maintain 2 Half return 3 Return	Lamp color	Lamp voltage
	BGQ	11 1NO1NC	Z Latching type	D Dot		R Red	AC/DC 6V
	BGQ22	22 2NO2NC	W Micro-travel type	E Ring		G Green	AC/DC 12V
	BGQ25	33 3NO3NC	X Selector type			Y Yellow	AC/DC 24V
	BGQ30	Different code name have different contact structure	Y Key-lock type			O Orange	AC/DC 110V
			TS Emergency stop			B Blue	AC/DC 220V
			No letter means momentary			W White	Note: Other voltage can be made to order

Note: 1, Pls read the catalog carefully ,and choose the right part-number according to the sign.

2, LAS1-BGQ22,LAS1-BGQ25 can be written as GQ22,GQ25.

## Lamp Ratings >>

Lamp Type	LED lamp(AC/DC)			Lamp Circuit Diagram
Rated Voltage	AC/DC6V	AC/DC12V	AC/DC110V	
	AC/DC24V	AC/DC36V	AC/DC220V	
Rated Current	About 15mA		About 3mA	
LED Color	<span style="color:red">R</span> <span style="color:green">G</span> <span style="color:yellow">Y</span> <span style="color:orange">O</span> <span style="color:blue">B</span> <span style="border:1px solid black; padding:0 2px;">W</span>			
Life	40000 hours(Reference)			

Using AC/DC LED lamp, the terminals have no difference of anode and cathode:  
Using inner resistance, do not need connect outer resistance.

Note: DC LED and other voltage can be made to order.

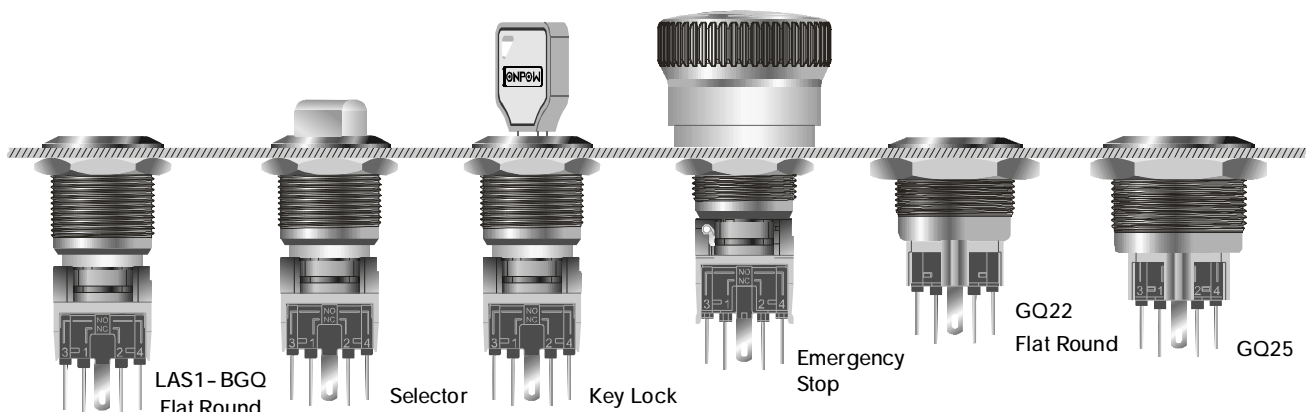
## Switching Operation >>

Type	Za
Diagram	
Sign	
Explanation	Using four terminals, double-break and fast-motion changeover contact (except GQ22-WE)

## Terminal Description >>

LAS1-BGQ、LAS1-BGQ30	(LAS1-B)GQ22	(LAS1-B)GQ25
<p>1,2,3,4 are one set;1,2 are normal closed(NC);3,4 are normal opened(NO). The standard LED terminals have no difference of anode and cathode. The lamp and switch are relatively independent and can use switch or peripheral circuit to control the lamp state.</p>		

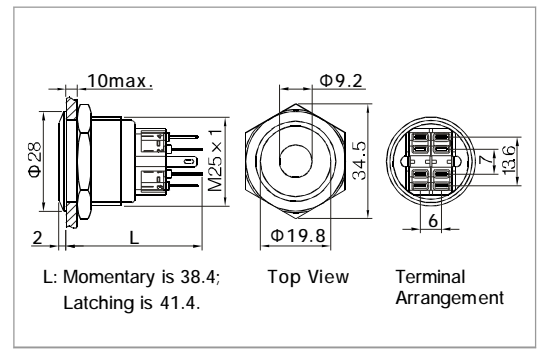
## Installation Effect >>



### Anti-vandal dot illuminated push button



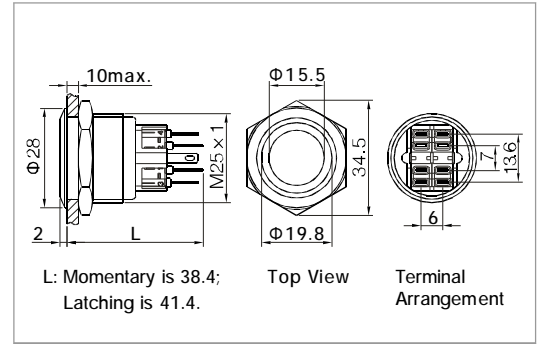
- ◎  $\Phi$ 25mm Diameter
- ◎ Switch Rating: 5A/250VAC
- ◎ Contact Configuration:  
1NO1NC/2NO2NC
- ◎ Operation Type: Momentary/Latching
- ◎ The Crust Material: Stainless Steel
- ◎ Dot Illuminated
- ◎ IP Degree: Ip65, IK10



### Anti-vandal ring illuminated push button



- ◎  $\Phi$ 25mm Diameter
- ◎ Switch Rating: 5A/250VAC
- ◎ Contact Configuration:  
1NO1NC/2NO2NC
- ◎ Operation Type: Momentary/Latching
- ◎ The Crust Material: Stainless Steel
- ◎ Ring Illuminated
- ◎ IP Degree: IP65, IK10



Specification	GQ25-□■D/△/▲	GQ25-□■E/△/▲
The Front Shape	Flat Round	Flat Round
Terminal Type	Pin Terminal(2.8×0.5mm)	Pin Terminal(2.8×0.5mm)
Switching	Za(double-break fast-motion changeover contact)	Za(double-break fast-motion changeover contact)
Max. Switch Rating	Ith:5A Ui:250VAC	Ith:5A Ui:250VAC
Contact Resistance	≤50mΩ	≤50mΩ
Insulation Resistance	≥1000MΩ	≥1000MΩ
Dielectric Intensity	2000VAC	2000VAC
Operating Temp	-20℃ ~ +55℃	-20℃ ~ +55℃
Mechanical Life	1,000,000 cycles	1,000,000 cycles
Electrical Life	50,000 cycles	50,000 cycles
Panel Thickness	1 ~ 10mm	1 ~ 10mm
Torque	5 ~ 14Nm	5 ~ 14Nm
Operation Pressure	5.5 ~ 7N	5.5 ~ 7N
Operation Travel	About 2.8mm	About 2.8mm
IP Degree	IP65,IK10	IP65,IK10
Material	Contact	Silver Alloy
	Button	Stainless Steel
	Body	Stainless Steel
	Base	PA
	RoHS	Made to order
	Type	Dot Illuminated(LED)
LED	Rated Voltage	6V / 12V / 24V / 110V / 220V
Spec.	Color	R G Y O B W
	Life	40000 hours