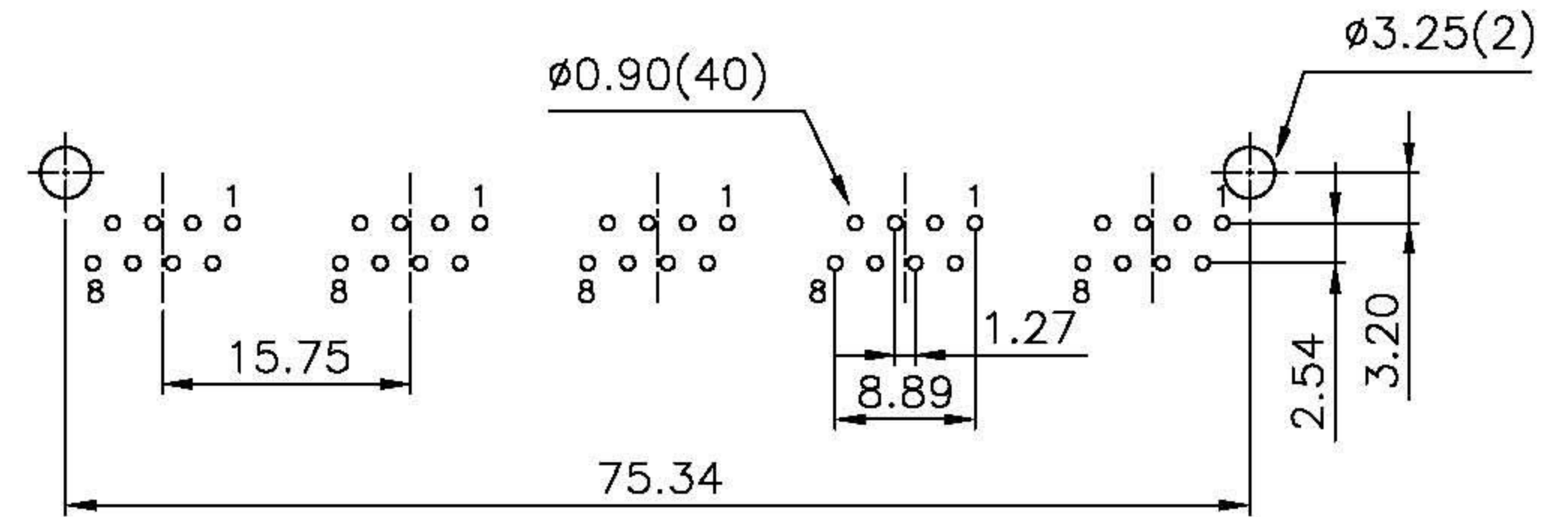
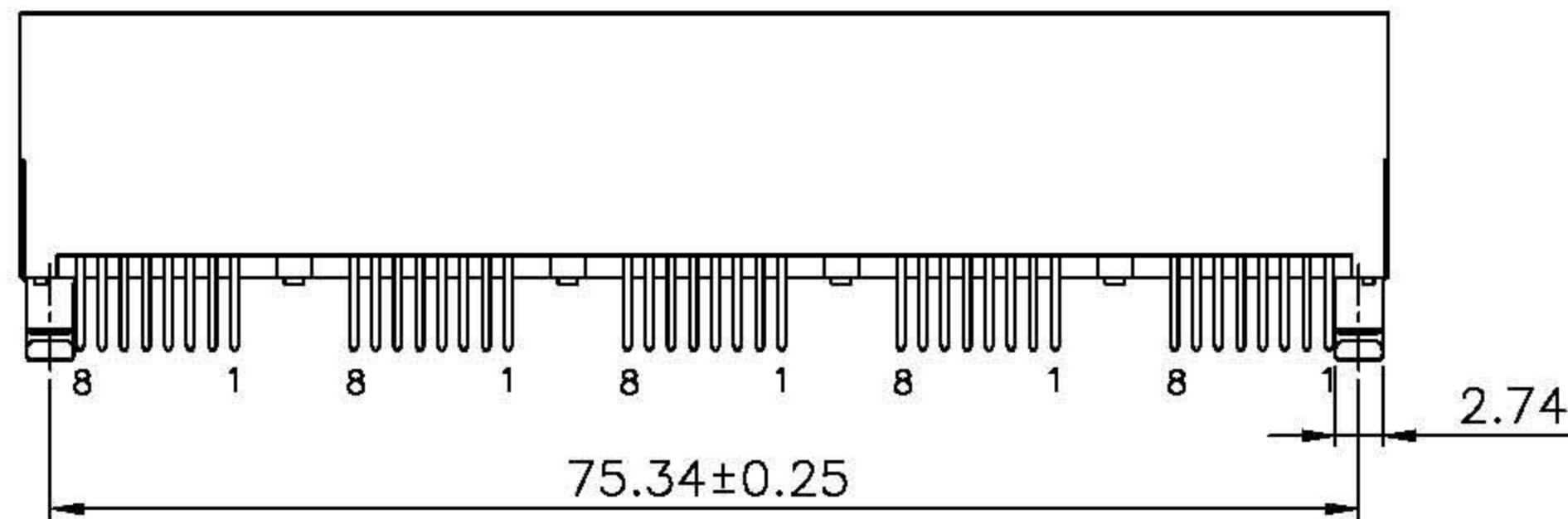
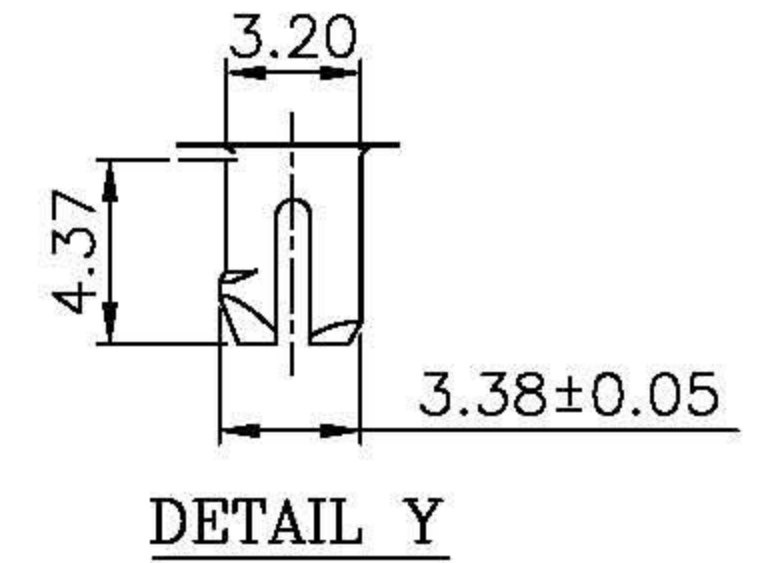
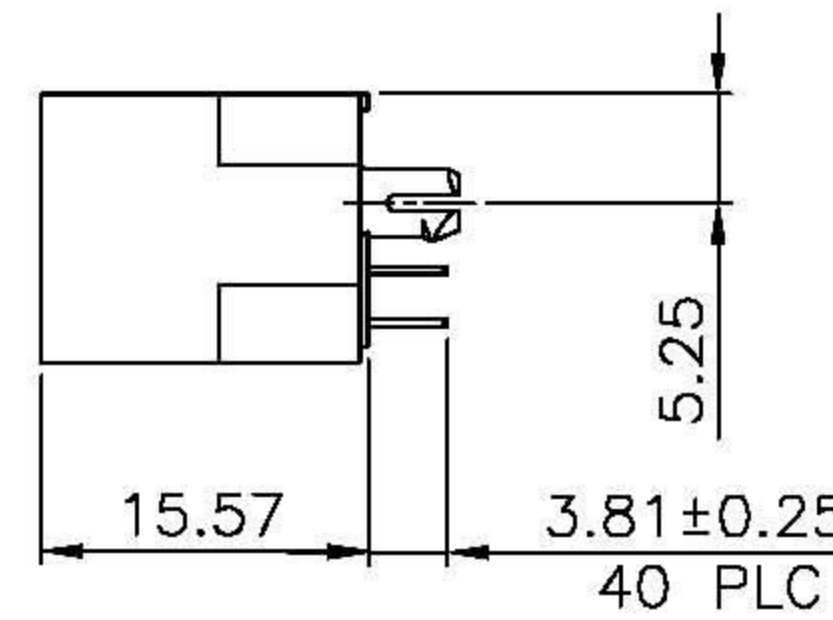
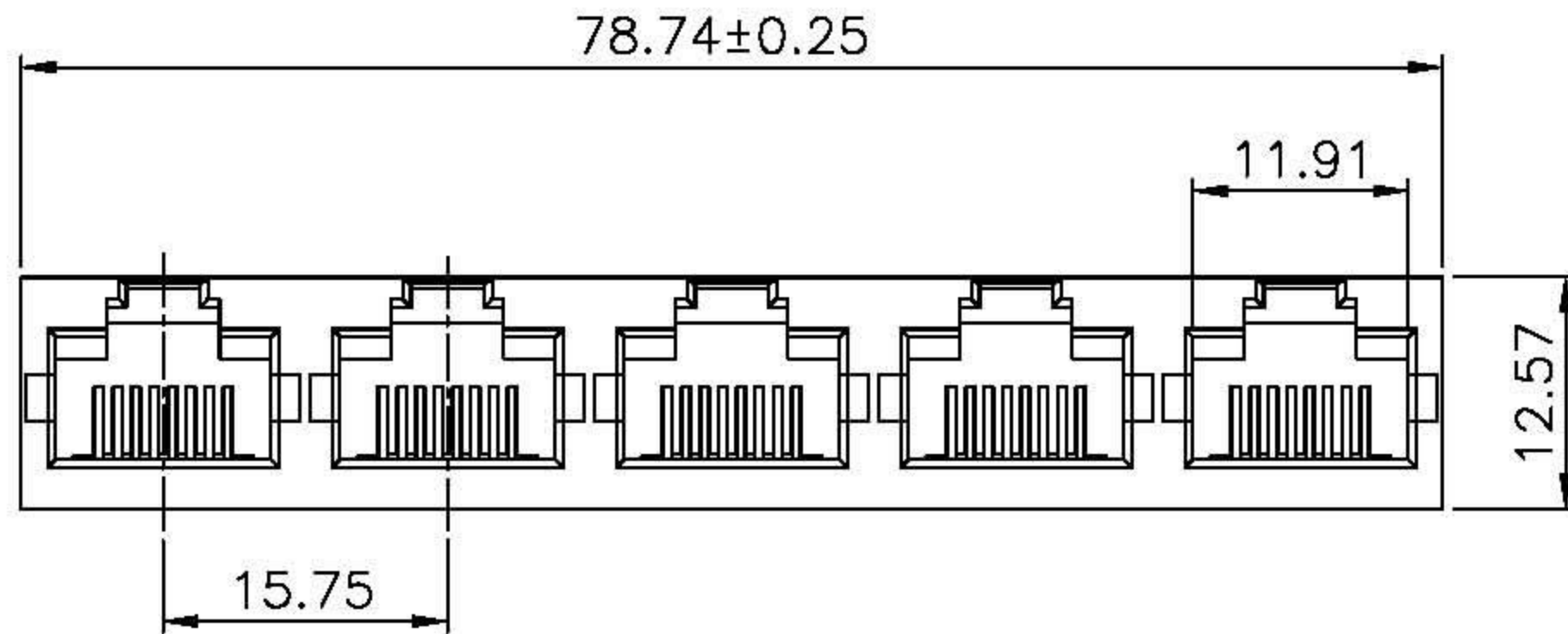


RoHS Compliance



PCB LAYOUT  
Ref.

DO NOT SCALE DRAWING	TOLERANCES UNLESS OTHERWISE NOTED	INCH	MM	DR. <i>C.IAN.CI.LUO</i>	DATE AUG-07 '08
THIRD ANGLE PROJECTION	LINEAR	MM INCH	00 ± 000 ± 0000 ±	CK'D <i>M.CHANG</i>	AUG-07 '08
MM INCH	ANGLE ± 0° 30'	RADII	+ 0.40 - 0.15	APP'D <i>W.J.YANG</i>	AUG-08 '08

<b>E-YUNG ENTERPRISE CO., LTD.</b>					
TITLE		RJ45, 1X5 PORTS, WITHOUT LED'S, TOP ENTRY PCB JACK			
SCALE	SIZE	DWG.NO.	REV.	SHEET	
		977403	3	1	