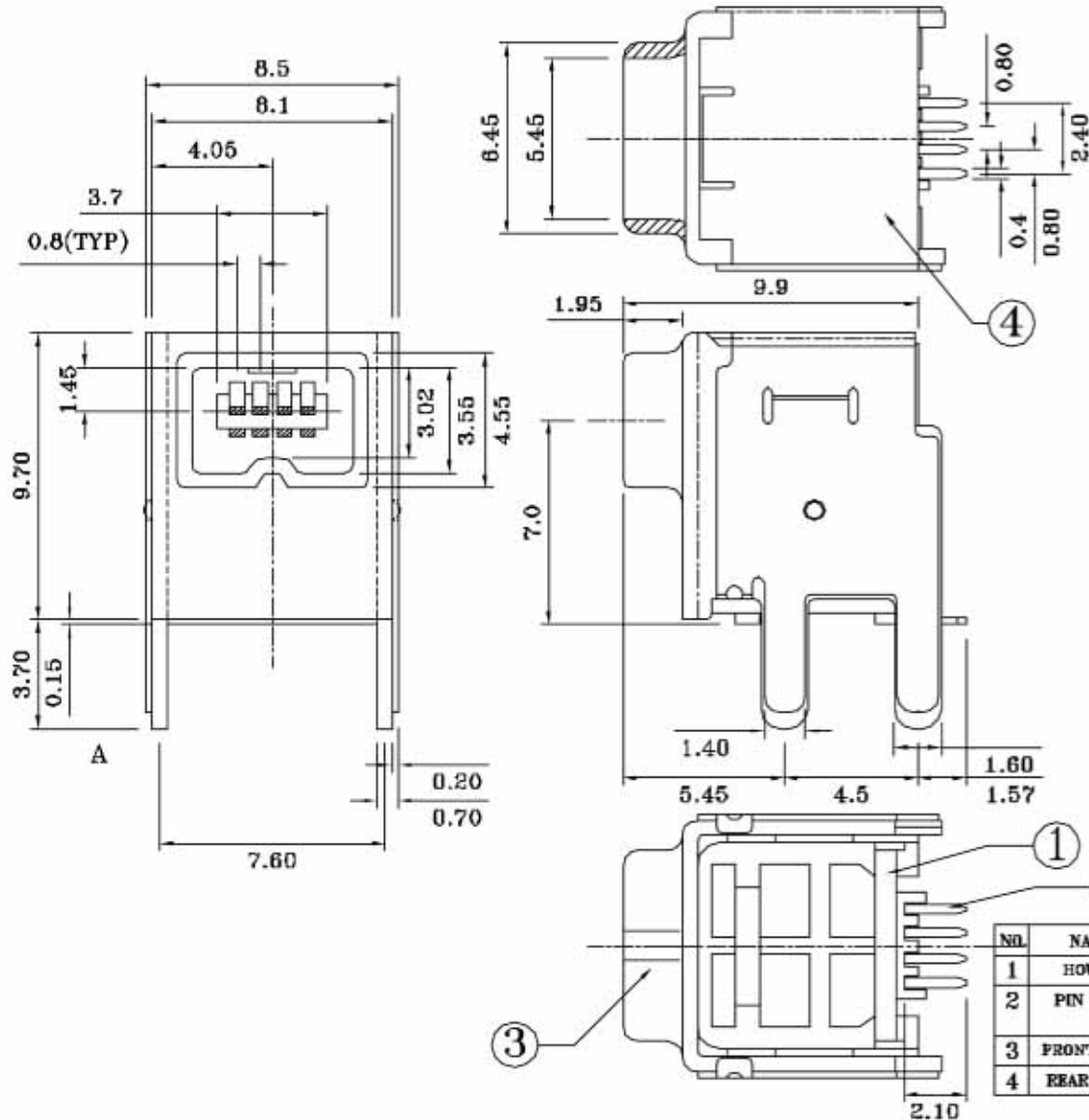
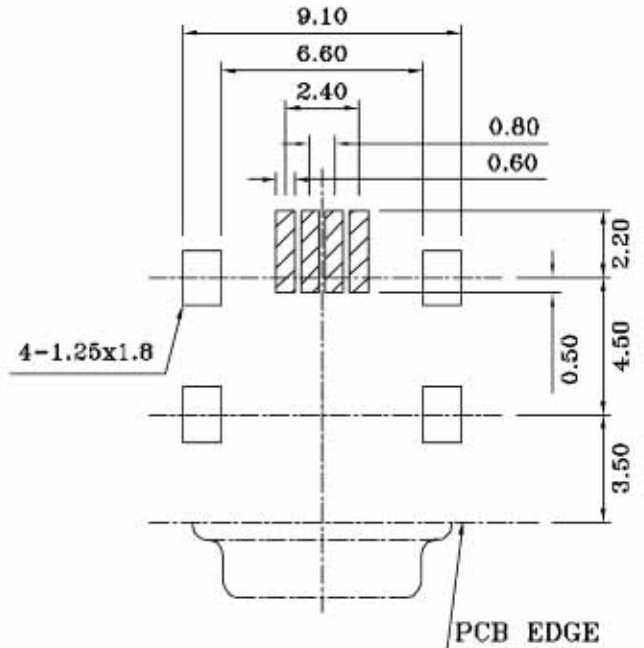


# 毅永企業有限公司 E-YUNG ENTERPRISE CO., LTD.



REV	ZONE	REVISION	DATE



COMPONENT SIDE  
PCB LAYOUT

NO.	NAME	MATERIAL	FINISH	REMARK	Q'TY
1	HOUSING	NYLON PAST G.F.	BLACK		1
2	PIN TERM.	PHOS.BRONZE t:0.26mm	GOLD-TIN PLATED	Gold:30μ"; Ni:40~60μ"; TIN:120 μ" (100% pure Tin of lead free plating)	4
3	FRONT SHELL	STEEL t:0.6mm	NICKEL PLATED	Ni:2~3u	1
4	REAR SHELL	BRASS t:0.2mm	NICKEL PLATED	Ni:2~3u	1