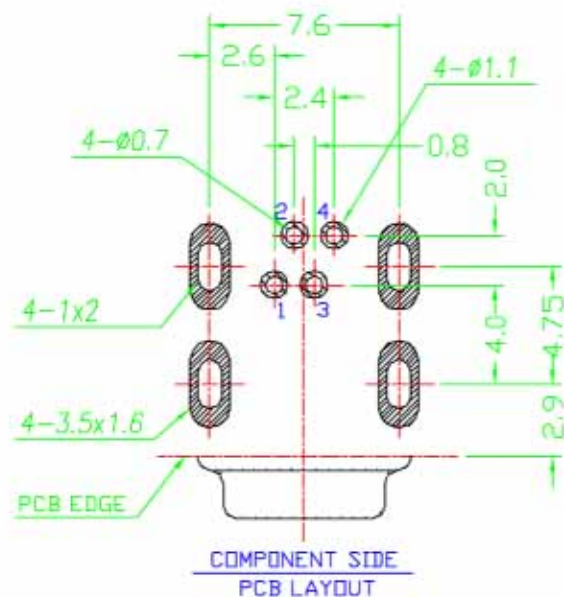
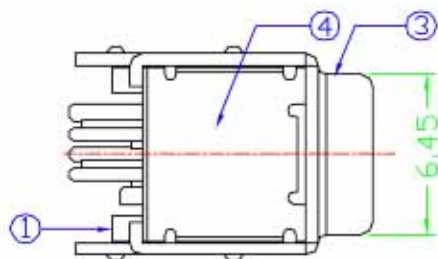


# 毅永企業有限公司 E-YUNG ENTERPRISE CO., LTD.

REV	ZONE	REVISION	DATE



**Specification:**

Contact Resistance: 50m Ohm Max.

Insulation Resistance: 100M Ohm Min.

Voltage - Max: 40V Maximum

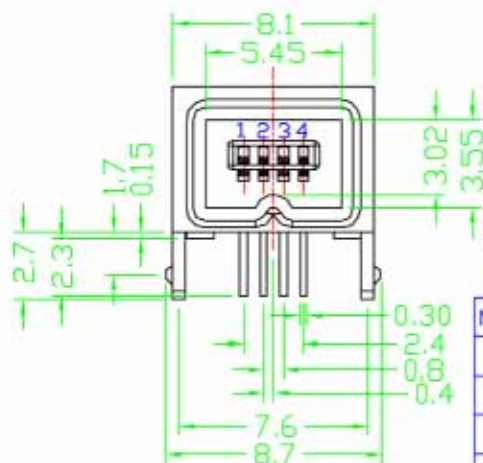
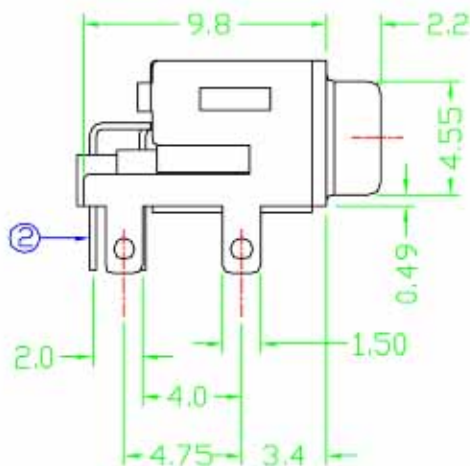
Current - Max: 1.5A Maximum.

Dielectric Withstanding Voltage:

100V AC for 1 Minute .

Durability (Life Test): 1000 Cycles

Unmating Force: 4.9 Newton TO 39 Newton Maximum.



NO.	NAME	MATERIAL	FINISH	REMARK	Q'TY
1	HOUSING	NYLON PA9T G.F	BLACK		1
2	PIN TERM.	PHOS. BRONZE t:0.25mm	GOLD-TIN PLATED	NI40-60u"/TiNi120u"/ GOL.D30u"	4
3	FRONT SHELL	STEEL t:0.5mm	NICKEL PLATED	NI:80-120u"	1
4	REAR SHELL	PHOS. BRONZE t:0.2mm	NICKEL PLATED	NI:80-120u"	1