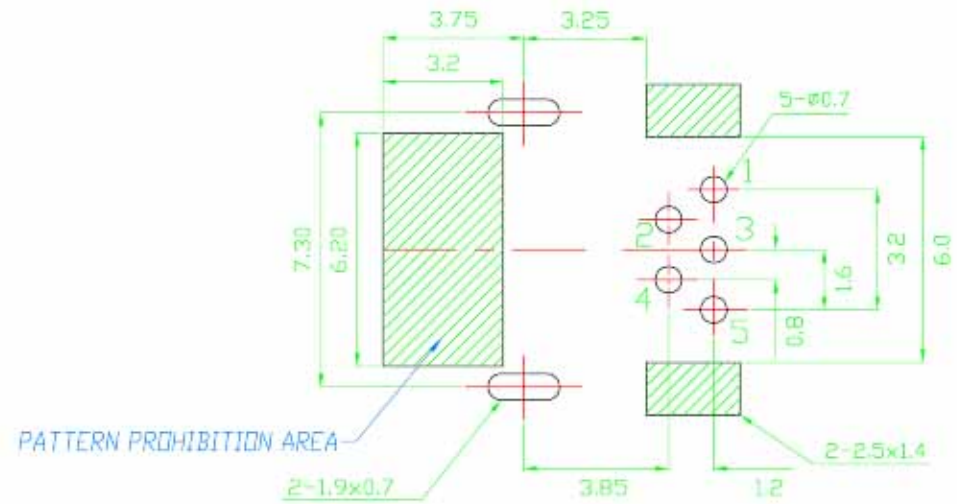
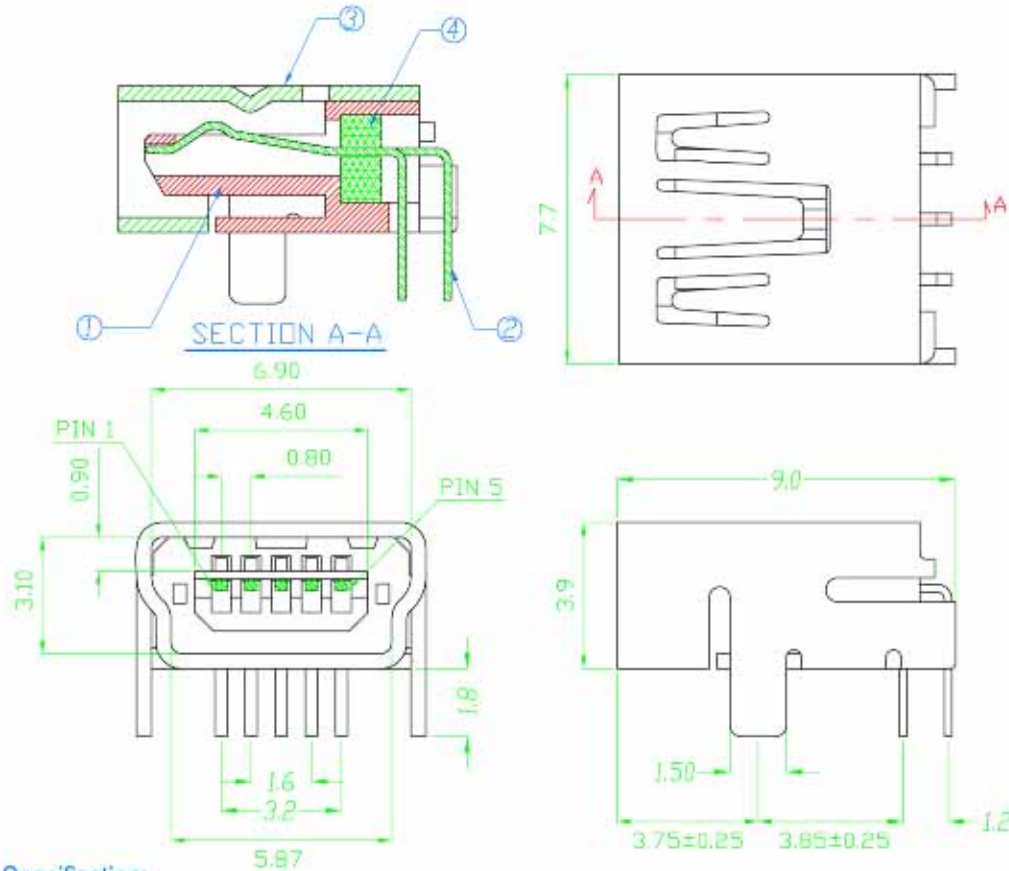


毅永企業有限公司 E-YUNG ENTERPRISE CO., LTD.

REV	ZONE	REVISION	DATE



RECOMMENDED PCB PATTERN LAYOUT
(PCB THICKNESS 0.8±0.1)

Specification:

Contact Resistance: 50m Ohm. Max.
 Insulation Resistance: 100M Ohm Min. At 500VDC.
 Rated Voltage And Current: 1A At 30VAC Minimum.
 Dielectric Withstanding Voltage: 100V AC for 1 Minute
 Durability (Life Test): 1500 Cycles
 Insertion Force: 35 Newton Maximum.
 Extraction Force: 7 Newton Minimum.

NO.	NAME	MATERIAL	FINISH	Q'TY	REMARK
1	HOUSING	NYLON PA9T G.F	BLACK	1	
2	PIN TERM.	PBS T:0.2	GOLD/TIN PLATED	5	Gold:30u"; NI:40~60u"; TIN:120u" (100% pure Tin of lead free plating)
3	SHELL	BRASS T:0.4	NICKEL PLATED	1	Ni:80~120u"
4	CENTER PASTERN	NYLON PA9T G.F	BLACK	1	