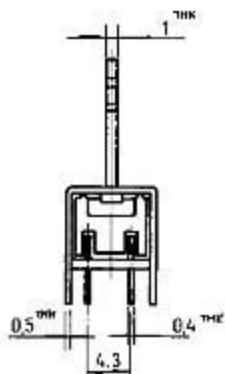
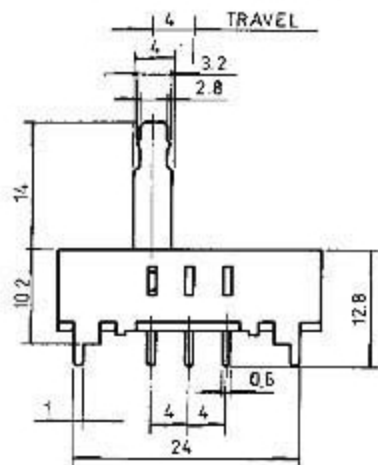
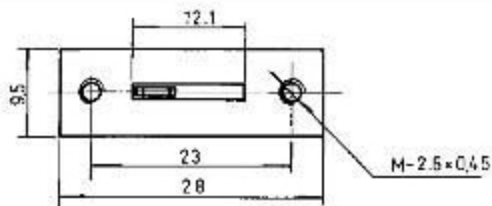
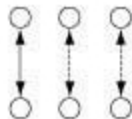


EX-33H01



CIRCUIT DIAGRAM

SPECIFICATIONS



Rating : 0.3A 50V DC

Function : 3P3T