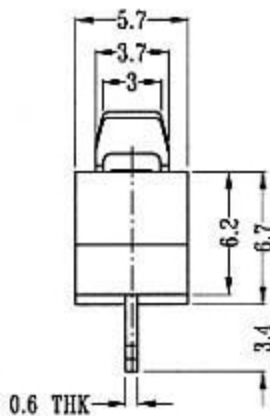
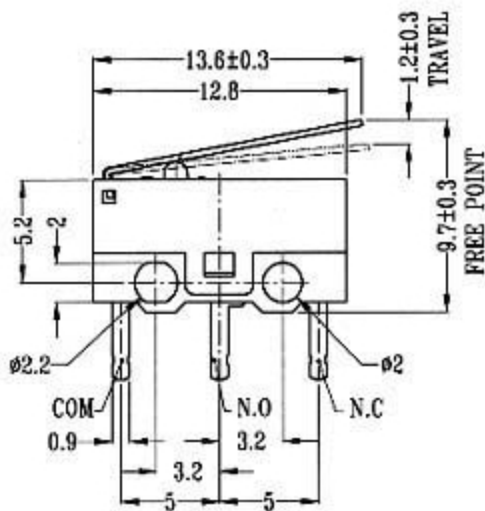
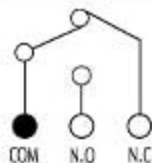


MX1382



CIRCUIT DIAGRAM



SPECIFICATIONS

Rating : 2A 24V DC

1A 125V AC

Function: 1P2T