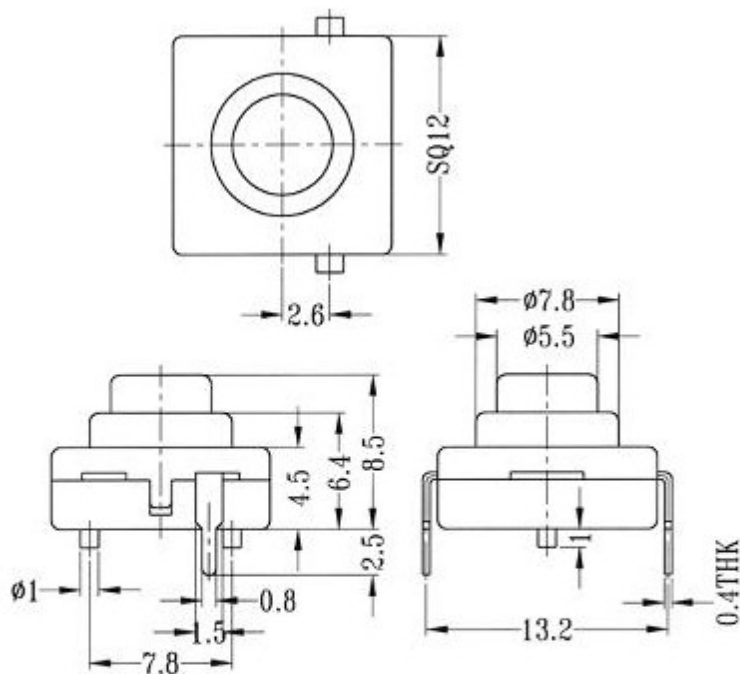


PB-11D01



CIRCUIT DIAGRAM



SPECIFICATIONS

Rating: DC 30V 1A