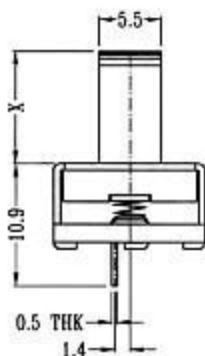
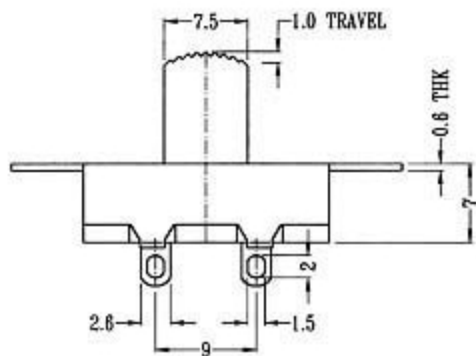
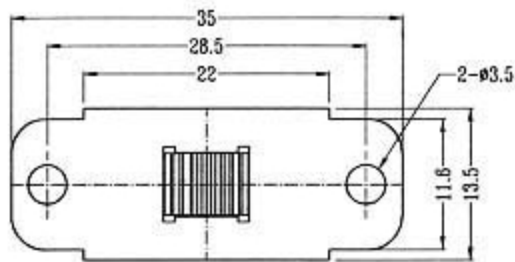
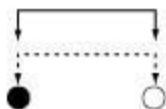


**PS-11A03**



**CIRCUIT DIAGRAM**



**SPECIFICATIONS**

Rating : 1A 125V AC

0.5A 250V AC

Function : 1P2T