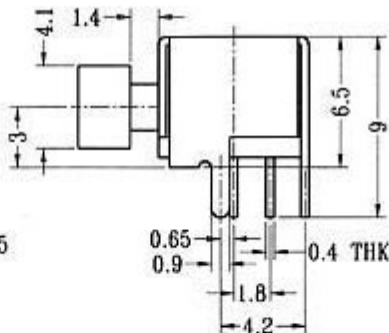
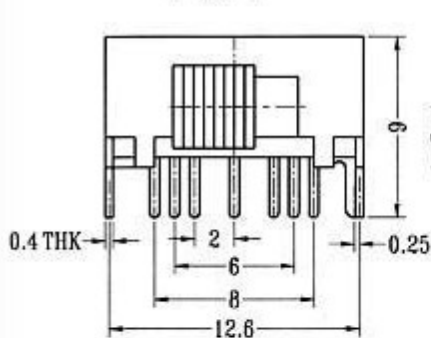
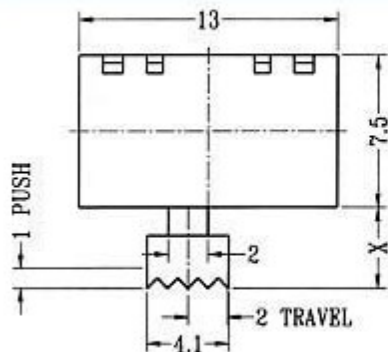
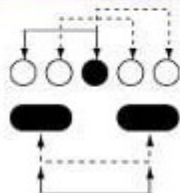


PS-11B-SK-13D02



CIRCUIT DIAGRAM



SPECIFICATIONS

N NON-SHORTING

Rating : 0.3A 50V DC

Function : 1P3T
(PUSH & SLIDE)