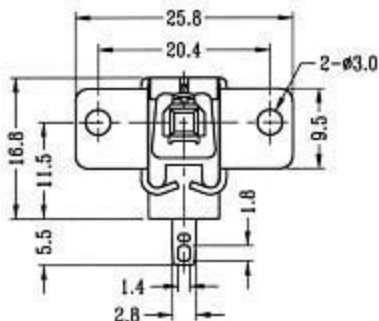
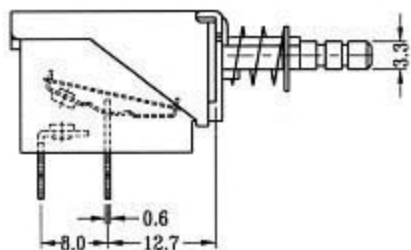
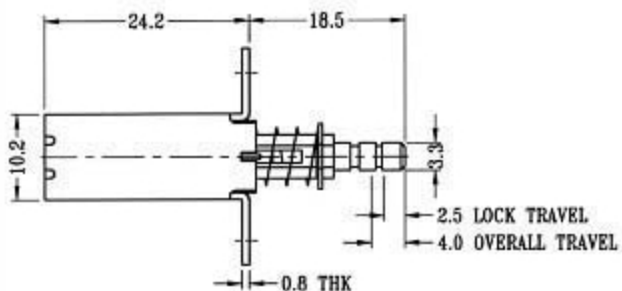


PS-11E01

(LOCKED)



CIRCUIT DIAGRAM



SPECIFICATIONS

Rating : 1A 125V AC
 0.5A 250V AC
 Function : 1P2T