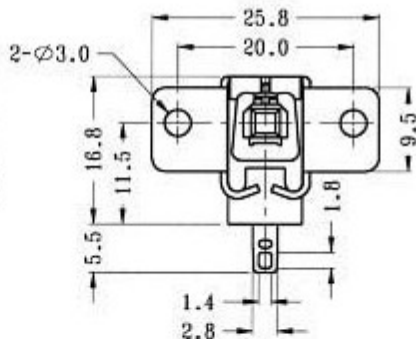
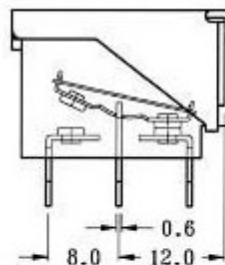
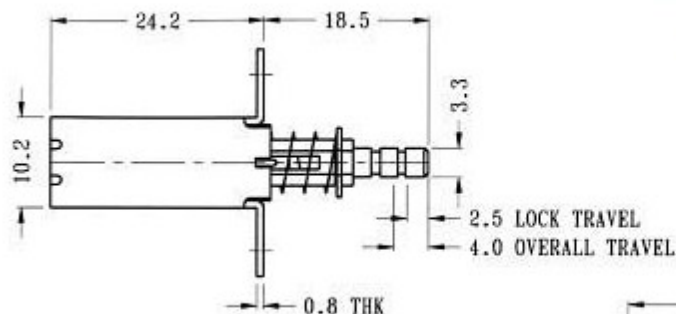


# PS-12E21

(LOCKED)




## CIRCUIT DIAGRAM



## SPECIFICATIONS

Rating : 0.3A 250V AC  
Function: 1P2T

 NON-SHORTING