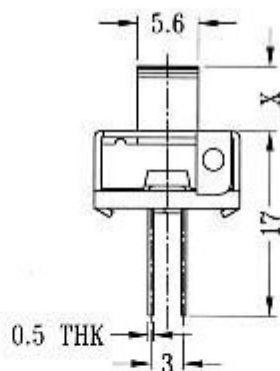
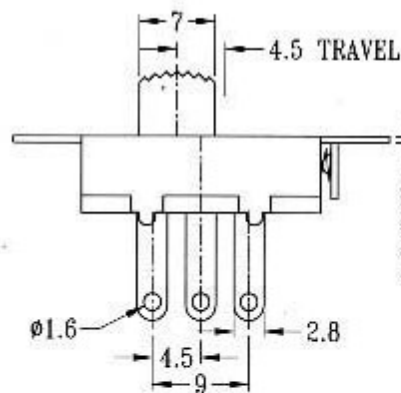
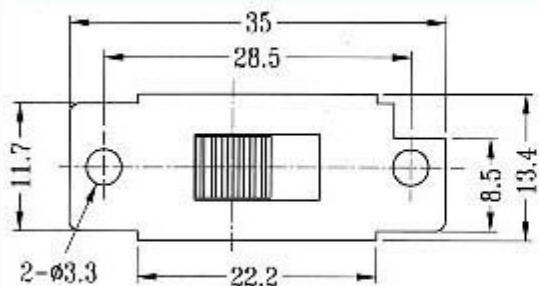


PS-12I01

(SPRING RETURN)



CIRCUIT DIAGRAM



SPECIFICATIONS

Rating : 1.5A 250V AC
Function: 1P2T

 NON-SHORTING