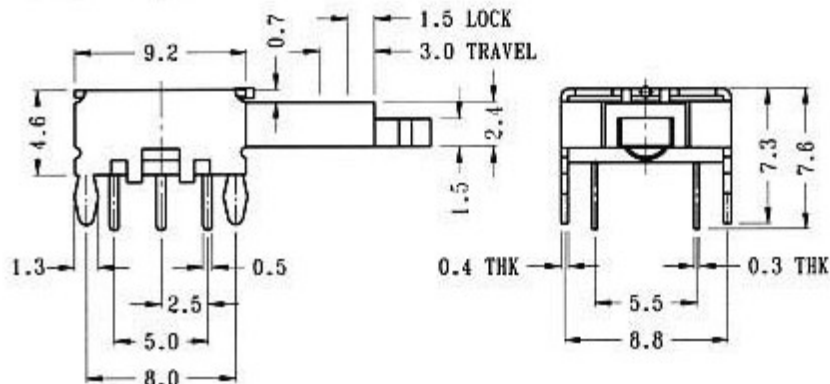
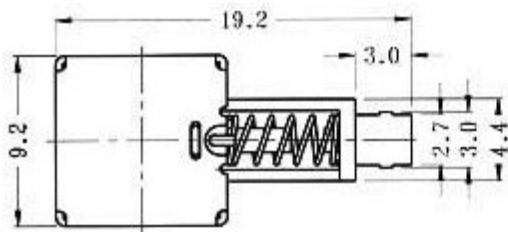


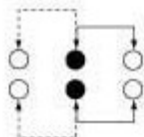
PS-22E02
PS-22E03

(LOCKED)

(NON-LOCKED)



CIRCUIT DIAGRAM



SPECIFICATIONS

N NON-SHORTING

Rating : 0.3A 50V DC

Function: 2P2T