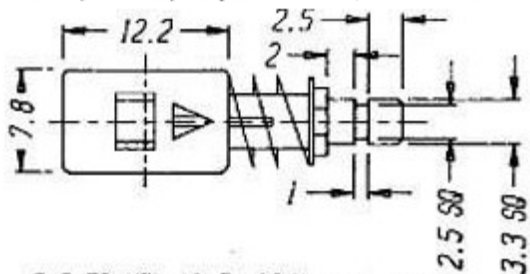
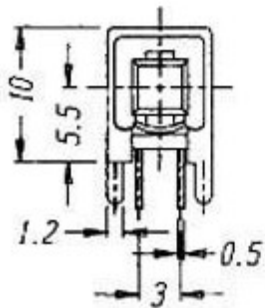
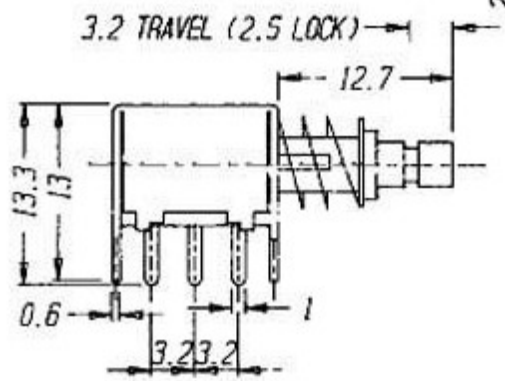


PS-22F02
PS-22F03



(LOCKED)

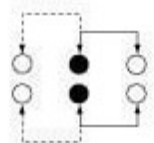
(NON-LOCKED)



CIRCUIT DIAGRAM

SPECIFICATIONS

- (N)** NON-SHORTING
- (S)** SHORTING



Rating : 0.3A 50V DC
Function: 2P2T