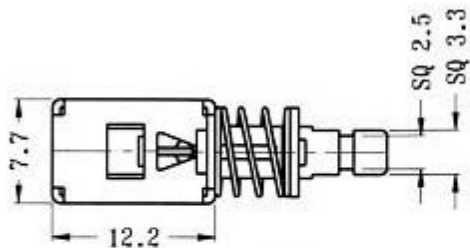
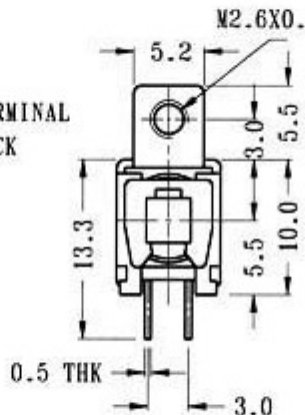
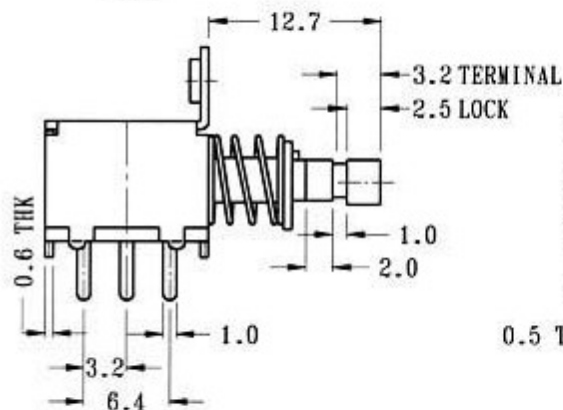


PS-22F05
PS-22F07



(LOCKED)

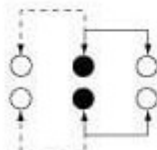
(NON-LOCKED)



CIRCUIT DIAGRAM

SPECIFICATIONS

 NON-SHORTING



Rating : 0.3A 50V DC

Function: 2P2T