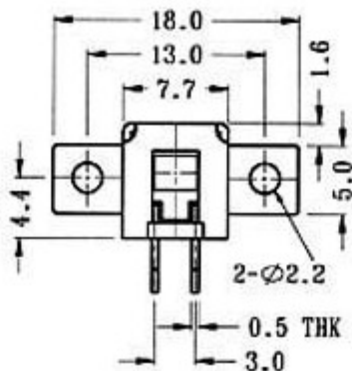
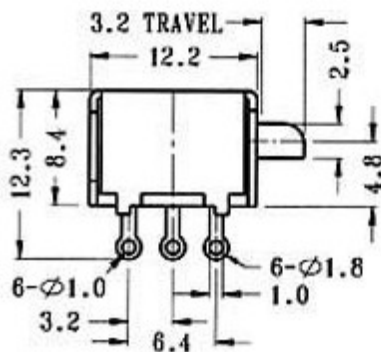
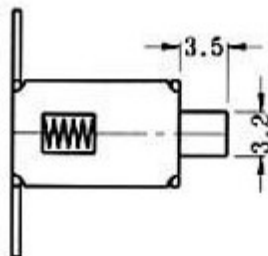
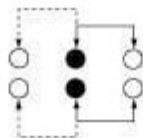


PS-22F14



CIRCUIT DIAGRAM



SPECIFICATIONS

Rating : 0.3A 50V DC
Function: 2P2T

N NON-SHORTING