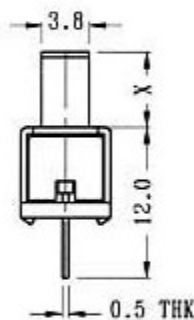
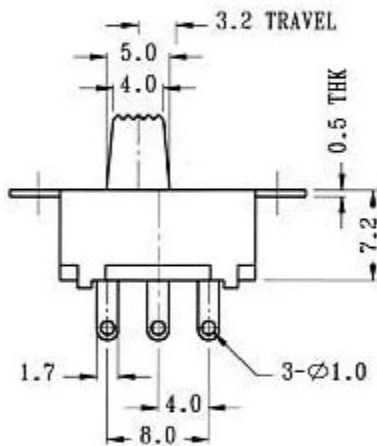
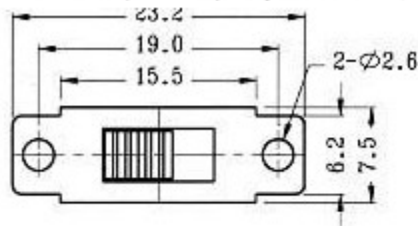


SS-12F85

Optional knob type

GA	GE	GD	TA	AT	NT
MX					



CIRCUIT DIAGRAM

SPECIFICATIONS

NON-SHORTING



Rating : 0.5A 50V DC
Function: 1P2T