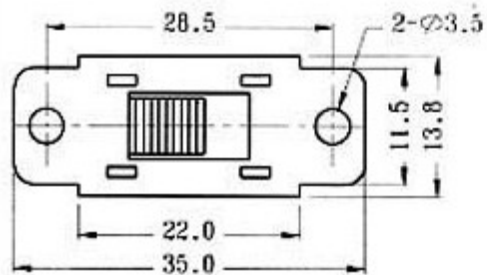
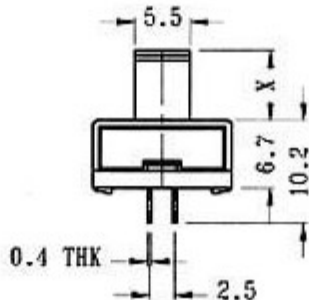
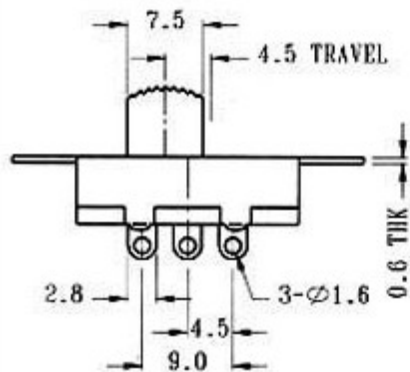


SS-12105



Optional knob type

GD				



CIRCUIT DIAGRAM

SPECIFICATIONS

NON-SHORTING

Rating : 1.5A 250V AC

Function: 1P2T

