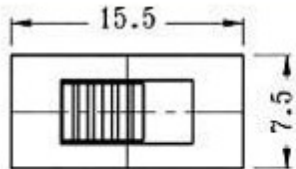
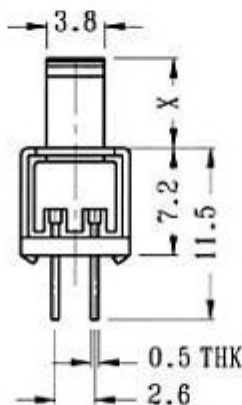
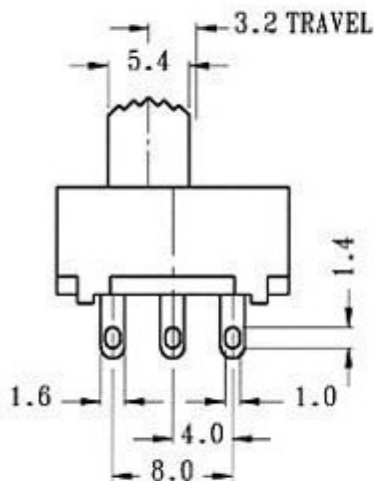


## SS-22F62



Optional knob type

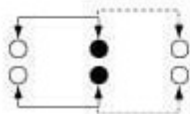
GD	GA	GE			



**CIRCUIT DIAGRAM**

**SPECIFICATIONS**

**N** NON-SHORTING



Rating: 0.5A 50V DC

Function: 2P2T