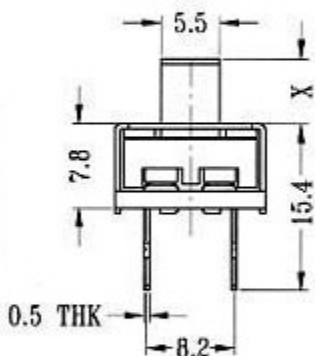
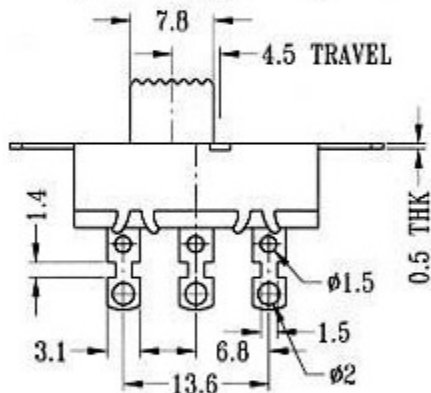



Optional knob type

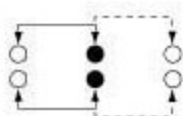
GE	GD				



CIRCUIT DIAGRAM

SPECIFICATIONS

 NON-SHORTING



Rating:1.5A 250V AC
Function:2P2T