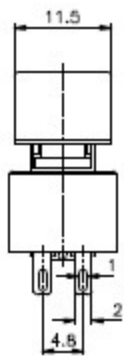
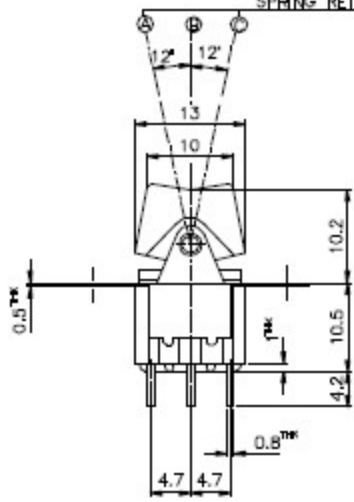


SPRING RETURN CENTRE (MOMENTARY)



ISSUED	SPECIFICATION (INITIAL)	TITLE: ROCKER SWITCH 2F3T	
	RATING: AC 250V 3A	MODEL NO: WR-231D1-R3(00)-00	
	CONTACT RESISTANCE: Not more than 30mΩ	UNIT: mm	DWN
	INSULATION RESISTANCE: 500MΩ at 500V DC	SCALE: 2 : 1	CHK'd
	WITHSTAND VOLTAGE: AC 1000V for 1 min	TOLERANCE: ±0.2	APP'D.
	OPERATION FORCE: 500±300g		
	SWITCHING LIFE: 10000 Cycles(5-10c/m loading)		
BY:	<b>毅永企業有限公司 E-YUNG ENTERPRISE CO., LTD.</b>	DRWG NO.	
DATE:		980503-01	

The material contained in this drawing is the property of PIC. Any use other than that specifically authorized by PIC is prohibited. The above drawing is subjected to change for improvement without prior notice.